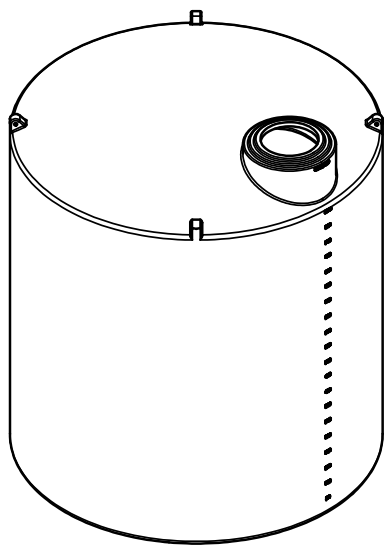
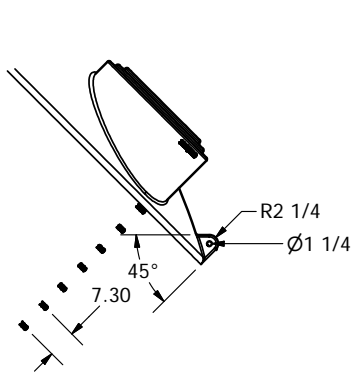



DETAIL A
SCALE 1 / 16



DRAWN Jerry Paulson	4/6/2012	 NORWESCO, INC. SAINT BONIFACIUS, MN		
CHECKED				
QA		TITLE 11,000 GALLON VERTICAL TANK X 144 DIAMETER		
MFG				
APPROVED		SIZE B	DWG NO	REV
		SCALE: 1/32	SHEET 1 OF 1	